

LED Emergency Light

ILLUMINATION

- Long lasting, efficient ultra-bright white LED lamp heads.
- High-performance chrome-plated metalized reflector and plastic lens for optimal light distribution.
- Adjustable LED lamp heads provides optimal center-to-center spacing. High-lumen option available for increased center-to-center spacing.



ELECTRICAL

- Dual 120/277 voltage.
- Can operate up to '2' additional LED remote lamp heads. (3.6V DC Output)
- Charge rate/power "ON" LED indicator light and push to test switch for mandated code compliance testing.
- Long-life, maintenance-free, rechargeable NiCd battery.
- Internal solid-state transfer switch automatically connects the internal battery to LED lamp heads for minimum 90-minute emergency illumination.
- Fully automatic solid-state, two-rate charger initiates battery charging to recharge a discharged battery in 24 hours.

MOUNTING

- Surface mount via quick-connect back plate; fits most standard size junction boxes and snaps into place to make internal electrical connections.
- Conduit mount knockout on top of housing and back plate.
- Suitable for wall or ceiling mount.

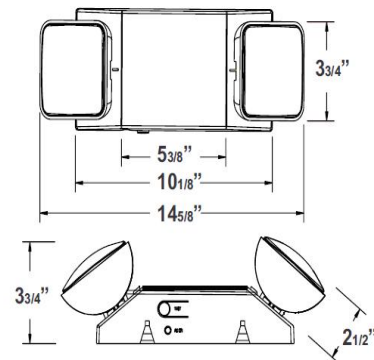
HOUSING

- Injection-molded, engineering-grade, 5VA flame retardant, high-impact resistant, thermoplastic in white or black finish.

WARRANTY

- Five year warranty on all electronics and housing. Batteries pro-rated for five years.
- UL listed for damp locations.
- Meets UL924, NFPA101 Life Safety Code, NEC, OSHA, Local and State Codes. (0°C – 50°C)

DIMENSIONS



ORDERING INFORMATION

Model	Housing Color	Options
02-EAW-LED	Blank White	SDT Self-Diagnostics
	B Black	HL High-Lumen
		RC Remote Capable